

Lets Make ZERO-Emission Real

RentalMatch Green Power

Dealer and Maintenance partner of:

JMG Cranes North Europe

Sales & Service Office

Ecologieweg 16

3433 LM Hendrik-Ido-Ambacht - Netherlands

t +31 651855113

t +31 613214166

and info@rentalmatch.eu

Production Plant

Via Sito Nuovo 14

29010 Sarmato (PC) - Italy



Electric
Pick & Carry
cranes



MC 250.09FL (metric)
Maximum fork capacity
25t@0.9m

www.RentalMatch.eu



MC 250.09FL

- REAR STEERING UNIT WITH TWO INDEPENDENT ROTATING UNITS
- DRIVEN ON THE FRONT WHEELS WITH COUNTER-ROTATION
- HIGH FREE LIFT MAST
- REMOVABLE BALLASTS
- REMOVABLE GROUP



Optionals:

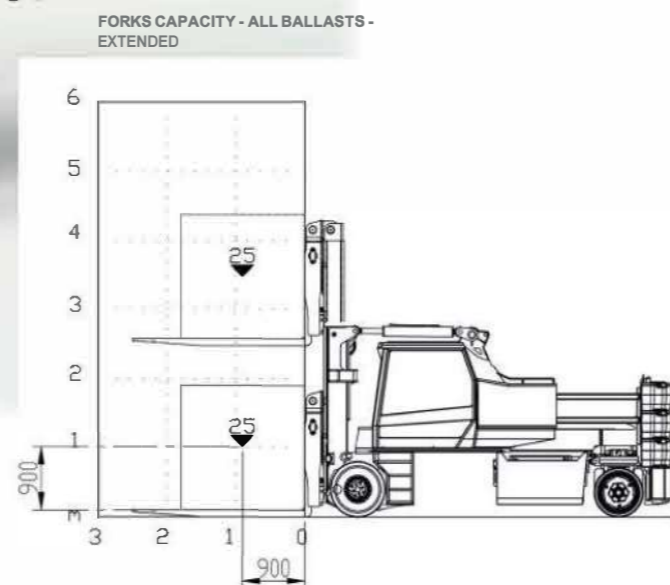
- HYDRAULIC CRANE ARM WITH ELECTRONIC SYSTEM SHOWN
- LOAD KING AND LIMITER
- TILTING MOMENT
- NON-MARKING WHEELS
- REMOTE CONTROL
- TRANSFORMATIONS
- EXPLOSION PROOF
- CUSTOMIZED COLOR

Technical information

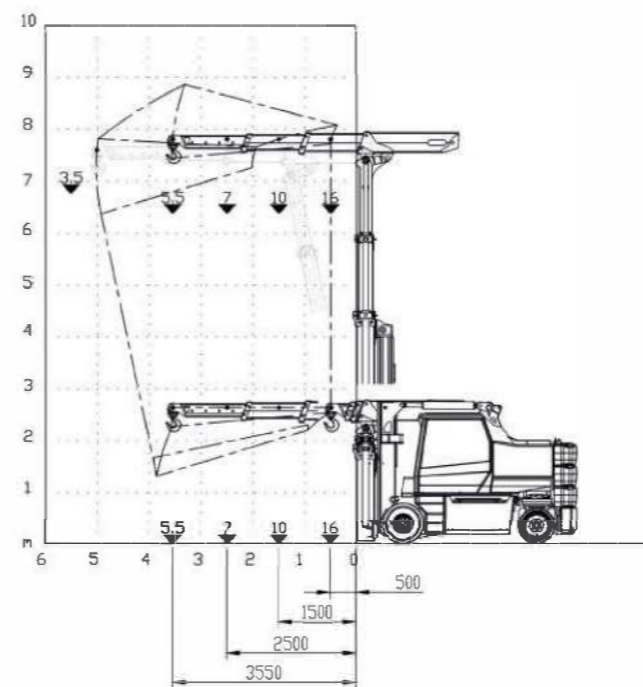
Max fork capacity with extension	25t @ 0.9m
Max fork capacity without extension	16.5t @ 0.9m
Dimensions	4120 x 1800 x 2750mm

Front-wheel drive. 2 AC 12 kW 96V electric motors	Service brake: hydraulic with pedal control. Parking and emergency brake: hydraulic with automatic control
Overall with forks 25,000 KG Overall with crane arm 25,000 KG Plate weight and fork teeth 3,000 KG Crane arm weight 3,000 KG Removable ballast weight Kg. 6,000	Made of sturdy, folded and welded quality sheet steel
96V - 1050Ah	Mast tilt angle +12°/-7°
Front wheels: n.2 in polyurethane 800x410 Rear wheels: n.4 cushion 28x10x22	N° 1 AC 35kW 96V electric motor
Rear	

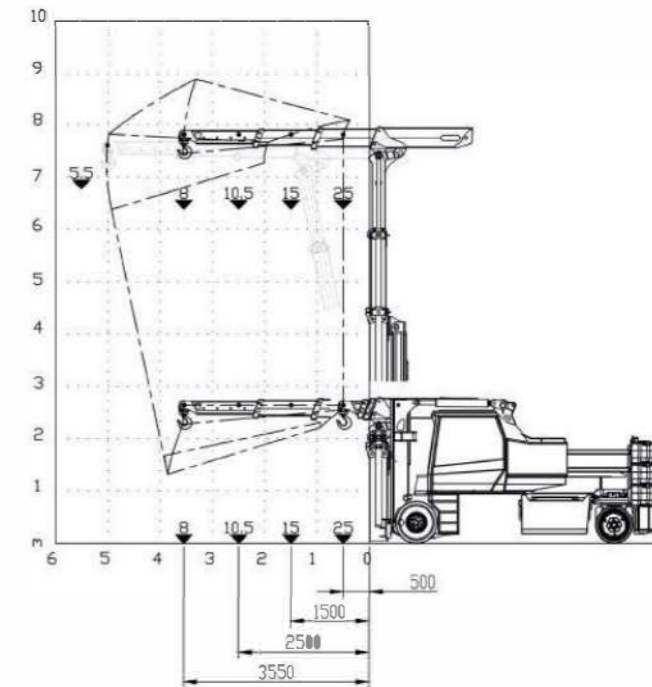
Capacity diagrams



BOOM FLOWS ON UPRIGHT - ALL BALLAST - NOT EXTENDED



BOOM FLOWS ON UPRIGHT - ALL BALLAST - EXTENDED



Regulations

	EN 13000:2014 ONLY WITH HYDRAULIC ARM
	UNI ISO 3691-1983 IT UNI ISO 22915-2-2020 EN and subsequent amendments

Overall dimensions

