

LETS MAKE  
ZERO-EMISSION REAL

RentalMatch.eu

RentalMatch Green Power  
Dealer & Partner of JMG Cranes

Sales & Service Office  
Ecologieweg 16  
3343 LM Hendrik-Ido-Ambacht - Netherlands  
+31 (0) 78 204 92 60  
info@rentalmatch.eu

Gijs van de Graaf  
+31 651855113

Dick van de Graaf  
+31 613214166

Production Plant  
Via Sito Nuovo 14  
29010 Sarmato (PC) - Italy



vca✓

**RentalMatch**  
GREEN POWER

Electric  
Pick & Carry  
Cranes



**MC 160 (metric)**  
Max Capacity 16,000 kg

# MC 160

- ✓ Telescopic boom
- ✓ Front-wheels drive with counter rotation
- ✓ Removable counterweights



### Options:

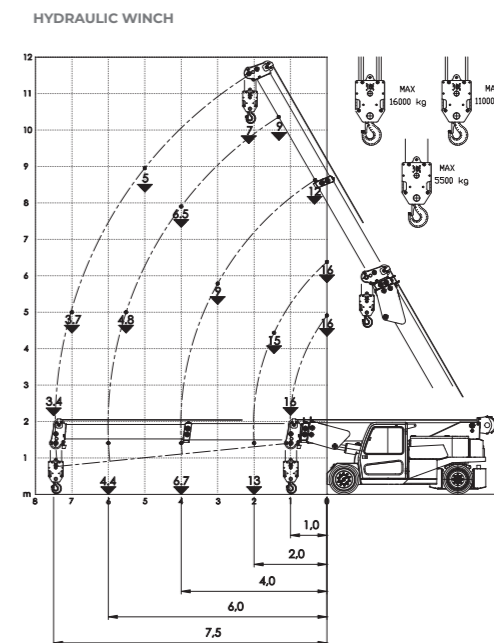
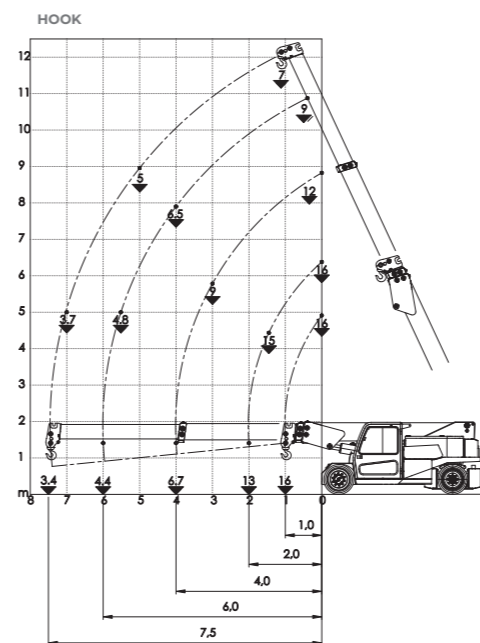
- Hydraulic Winch
- Hydraulic Jib
- Hydraulic Extension
- Manual Jib
- Manual Extension
- Non-Marking Tires
- Radio Remote Control
- Hydraulic Forks
- Man Basket
- Atex Conversions
- Customized Painting



### Technical features

Max Capacity kg	16,000	Front-wheels drive. 2 electric motors AC 10 kW 96V Insulation class H	<b>LMI.</b> Electronic safe load indicator and tilting moment limiter
	Dimension mm	4395x2070x2000	Total Kg. 19,950 Removable counterweights Kg. 5,070
Dimension mm		4395x2070x2000	96 V - 1035 Ah 8 working hours
	Front nr. 4 superelastic 355/50-20" Rear nr. 2 superelastic 355/50-20"		+65°/-4°
		Rear Steering angle -90°/+90°	Motor driven pump 1x24 kW-96 V AC, 1x12 kW-96 V AC

### Load charts



### EU Standards CE

	UNI ISO 4301-1: A1
	2006/42 CE-2014/30 UE-2014/35 UE- 2000/14 and subsequent modifications
	EN 13000:2014 ANSI/ASME B30.5-2011 and subsequent modifications

### Dimensions

