

LETS MAKE  
ZERO-EMISSION REAL

RentalMatch.eu

**RentalMatch Green Power**  
Dealer & Partner of JMG Cranes

**Sales & Service Office**  
Ecologieweg 16  
3343 LM Hendrik-Ido-Ambacht - Netherlands  
+31 (0) 78 204 92 60  
info@rentalmatch.eu

**Gijs van de Graaf**  
+31 651855113

**Dick van de Graaf**  
+31 613214166

**Production Plant**  
Via Sito Nuovo 14  
29010 Sarmato (PC) - Italy



vca✓

**RentalMatch**  
GREEN POWER

Electric  
Pick & Carry  
Cranes



**MC 70S (metric)**  
Max Capacity 7,000 Kg

# MC 70S

- ✓ Radio-remote control on driving, steering, boom movements, Winch and other accessories
- ✓ Front-wheels drive with counter rotation
- ✓ Removable counterweights
- ✓ Hydraulically telescoping Sequential type boom
- ✓ Tilttable head 3 positions

### Options:

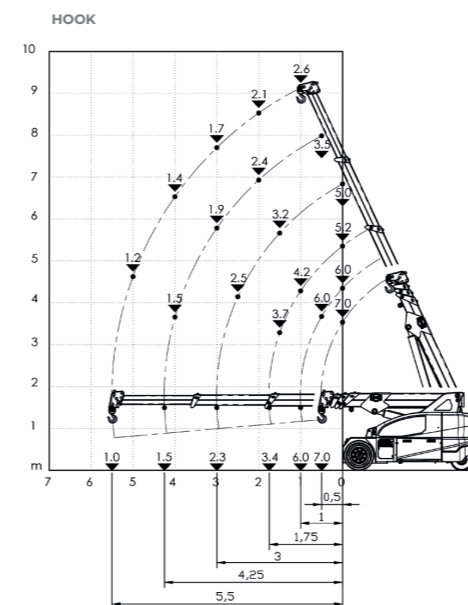
- Hydraulic winch
- Hydraulic fly jib
- Bendable manual jib with Manual extension
- Non-marking tires
- Hydraulic forks
- Man bucket
- Atex conversions
- Customized painting



### Technical features

Max Capacity kg	7,000	Front-wheels drive. 2 electric motors AC 3,5 kW 72V Insulation class H	<b>LMI.</b> Electronic safe load indicator and tilting moment limiter
	Total Kg. 7700 Removable counterweights Kg.3000	72 V - 640 Ah 8 working hours	Automatic braking system on all wheels
Dimensions mm	3226x1380x1857	Front nr. 2 superelastic 250-15" Rear nr. 2 superelastic 21x8-9"	Fabricated from preformed and welded quality steel plate
	Rear Steering angle -90°/+90°	+65°/-10°	Motor driven pump 12 kW - 72 V AC, Insulation class H

### Load charts



### EU Standards CE

	UNI ISO 4301-2: A1
	2006/42 CE-2014/30 UE-2014/35 UE- 2000/14 and subsequent modifications
	EN 13000:2014 ANSI/ASME B30.5-2011 and subsequent modifications

### Dimensions

